



SPEC SHEET

Steam Table Drop In



PROJECT: _____

ITEM #: _____

MODEL: _____

Standard Features

- Installs in your new or existing counter
- 3' standard conduit length
- Wet or dry operation
- Hard wire connection
- Each well holds 1 - 12" x 20" food pan or fractional equivalent
- Manifold drain
- Drain caps
- Twist counter locking system

Specifications

Self contained heated drop in. Top made from 18 gauge 304 stainless steel finish #4 with 3/8" edge turned down.

Fully insulated urethane foam for energy savings and efficiency.

Each well has its own independent infinite controls with individual temperature ready indicator lights. High limit prevents overheating.

Drop ins are also available in slimline configuration.

Options

- Cord and plug; specify length
- Control panel conduit length; specify length
- Adapter bar set

ITEM	MODEL	LENGTH	WIDTH	HEIGHT	VOLT	Hz.	REQUIREMENT	CORD	PLUG
C0968	ST1DI	16"	24"	10-1/8"	208	60	1Ø 20 AMP	6'	NEMA 6-20
C0999	ST2DI	30"	24"	10-1/8"	208	60	1Ø 20 AMP	6'	NEMA 6-20
C0970	ST3DI	44"	24"	10-1/8"	208	60	1Ø 20 AMP	6'	NEMA 6-20
C0998	ST4DI	58"	24"	10-1/8"	208	60	1Ø 30 AMP	6'	NEMA 6-30
C0989	ST5DI	72"	24"	10-1/8"	208	60	1Ø 30 AMP	6'	NEMA 6-30



Intertek

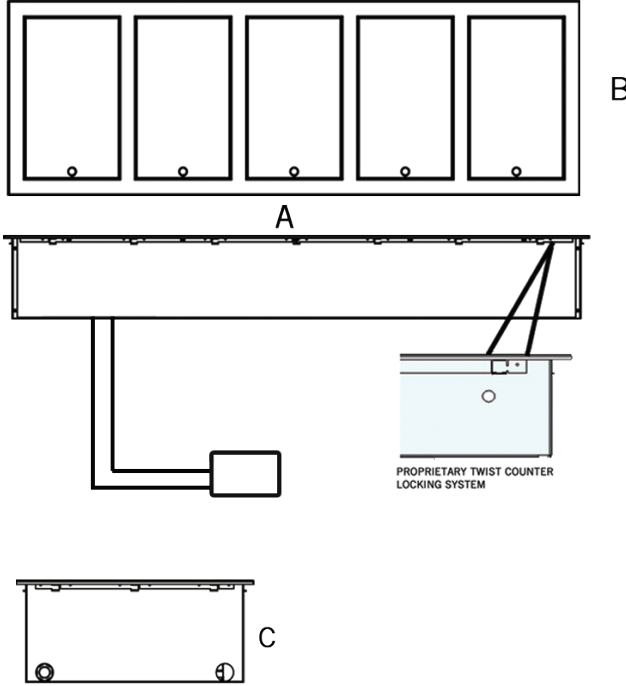


Intertek
4003279

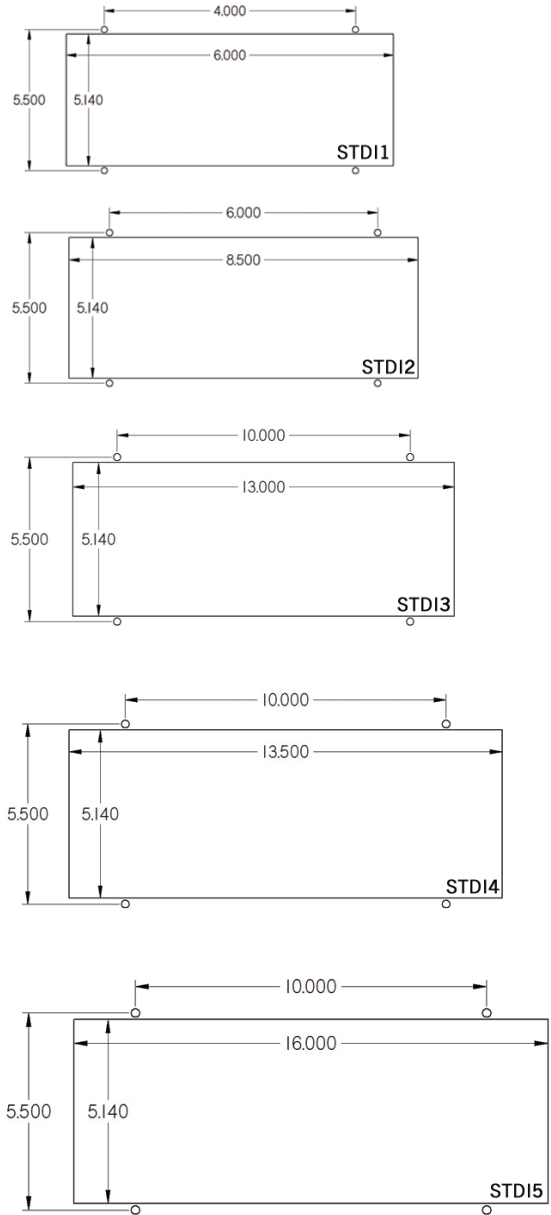
Conforms to UL Std. 197
and NSF/ANSI Std. 4
Certified to CSA Std. C 22.2 #109
Rev 11/2019



Steam Table Drop In



CONTROLS CUTOUT



MODEL	LENGHT	WIDTH	HEIGHT	VOLT	Hz.	REQUIREMENT	CORD	PLUG	COUNTER CUTOUT		CONTROLS CUTOUT	
									L	W	L	H
ST1DI	16"	24"	10-1/8"	208	60	1Ø 20 AMP	6'	NEMA 6-20	14-5/8"	22-5/8"	9-1/2"	5-3/16"
ST2DI	30"	24"	10-1/8"	208	60	1Ø 20 AMP	6'	NEMA 6-20	28-5/8"	22-5/8"	9-1/2"	5-3/16"
ST3DI	44"	24"	10-1/8"	208	60	1Ø 20 AMP	6'	NEMA 6-20	42-5/8"	22-5/8"	14"	5-3/16"
ST4DI	58"	24"	10-1/8"	208	60	1Ø 30 AMP	6'	NEMA 6-30	56-5/8"	22-5/8"	14"	5-3/16"
ST5DI	72"	24"	10-1/8"	208	60	1Ø 30 AMP	6'	NEMA 6-30	70-5/8"	22-5/8"	17"	5-3/16"